

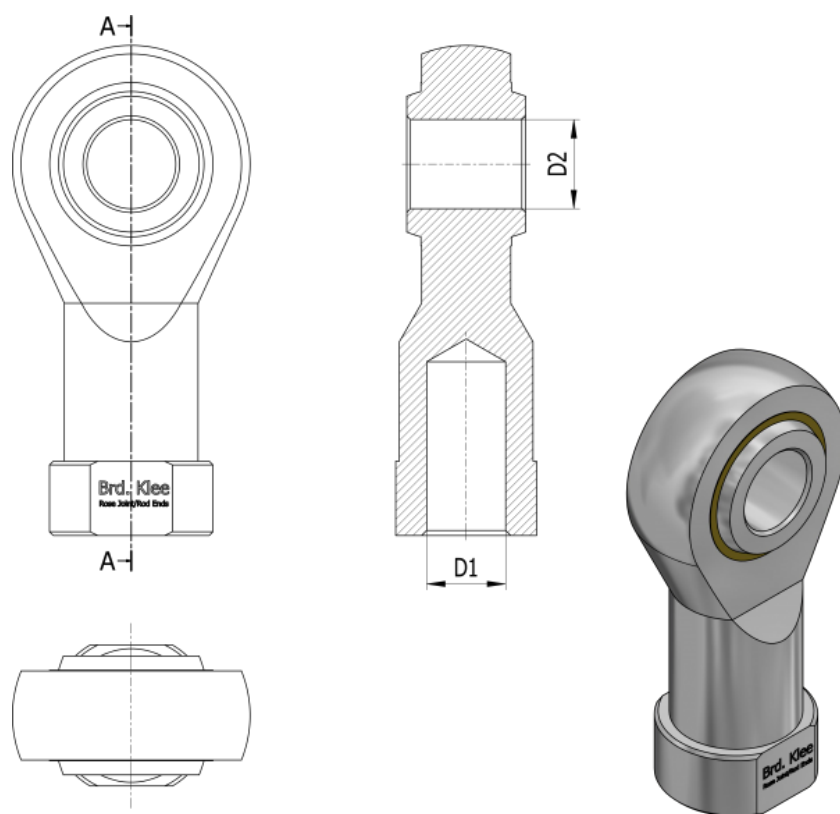
Data Sheet



Article number: 5800800006100

Description: Sfærisk led - zinc plated/maintenance free
M6x1

Measures



D1 = M6x1

D2 = 6